

**Z5353**

**E12 Horizontal bracket**

**Mounting instructions (1.0 EN)**

## Contents

1. Product description and scope of supply.....	3
2. Intended use.....	3
3. Safety precautions.....	4
4. Mounting options and coverage angles.....	4
5. Assembly.....	4
6. Maintenance and care.....	5
7. Disposal.....	5
Manufacturer's declarations.....	6

## General Information

Z5353 E12 Horizontal bracket  
Mounting instructions

Version 1.0 EN, 01/2008, D2977.EN .01

Copyright © 2008 d&b audiotechnik AG; all rights reserved.

Keep this manual with the product or in a safe place so that it is available for future reference.

d&b audiotechnik AG  
Eugen-Adolff-Strasse 134, D-71522 Backnang, Germany  
Telephone +49-7191-9669-0, Fax +49-7191-95 00 00  
E-mail: docadmin@dbaudio.com, Internet: www.dbaudio.com

## Z5353 E12 Horizontal bracket

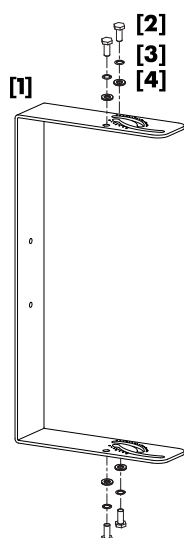


Fig. 1: E12 Horizontal bracket

### 1. Product description and scope of supply

The Z5353 E12 Horizontal bracket enables E12/E12-D loudspeaker cabinets to be mounted and set to different horizontal or vertical angles.

#### Scope of supply

Please verify the shipment for completeness and condition of the items.

Qty.	d&b Code	Description
1	Z5353	E12 Horizontal bracket <b>[1]</b>
4		Hex head bolt M10 x 25 <b>[2]</b>
4		Spring washer <b>[3]</b>
4		U washer <b>[4]</b>
1	D2977.INT	Mounting instructions

#### Weight and dimensions

Weight.....4 kg (8.8 lb)

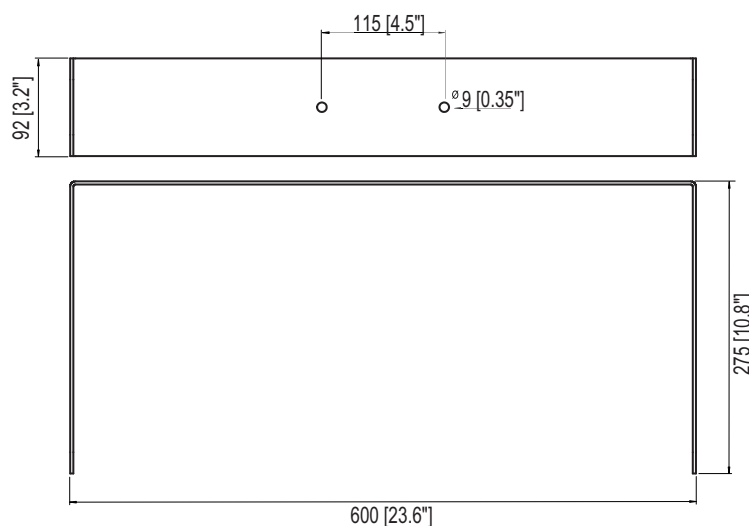


Fig. 2: Dimensions in mm [inch]

### 2. Intended use

The Z5353 E12 Horizontal bracket must only be used in conjunction with the d&b E-Series loudspeakers E12/E12-D as described in these mounting instructions.

Installation and set up should only be carried out by qualified and authorized personnel observing the valid national Rules for the Prevention of Accidents (RPA).

It is the responsibility of the person installing the assembly to ensure that the suspension/fixing points are suitable for the intended use.

The horizontal bracket can be:

- directly mounted to walls or ceilings.
- horizontally flown and mounted to bars and trusses with a tube diameter of up to 50 mm (2") using the Z5010 TV spigot with fixing plate and the Z5012 Pipe clamp.

### 3. Safety precautions

#### General safety

Always carry out a visual and functional inspection of the bracket before use. In case of any doubts the bracket must not be used. Please also refer to section 6. Maintenance and care on page 5.

#### Load safety information

The maximum permitted working load of the bracket is **16 kg (35 lb)** (according to BGV C1) which corresponds to the weight of one E12 or E12-D loudspeaker, respectively.

### 4. Mounting options and coverage angles

Each end of the bracket (Fig. 3) is provided with two semi-circular slots **(a, b)**, 12 mm (0.47") wide, marked with 5° and 15° detents and one 12 mm (0.47") hole **(c)**. Slot **(a)** allows angle settings over a range of 80° and slot **(b)** over a range of 30°.

In conjunction with the M10 threaded inserts at the top and bottom of the loudspeaker cabinets the bracket can be attached differently. The following mounting options and coverage angles are possible:

#### Option 1:

One bolt is fitted to the 12 mm hole **(c)** and a second to the semi-circular slot **(a)** on each end of the bracket. The vertical coverage angle can be set over a range of 80° (65° or 15° relative to the main axis of the loudspeaker (0°) - Fig. 4). The angle can be read from the point on the scale which corresponds to the center of the fixing bolt in slot **(a)**.

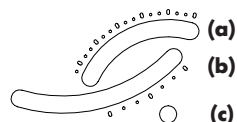


Fig. 3: Semi-circular slots and hole of the end of the bracket.

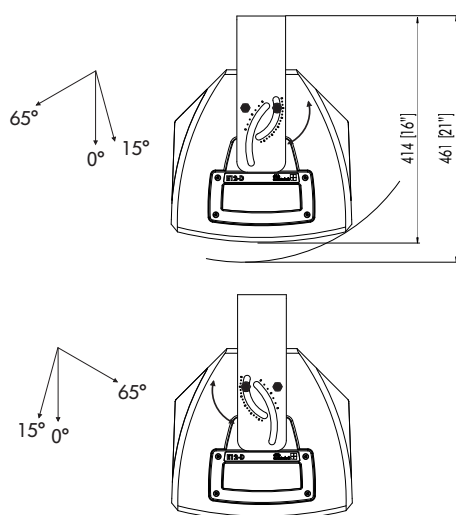


Fig. 4: Option 1

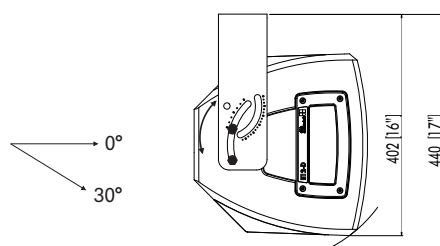


Fig. 5: Option 2

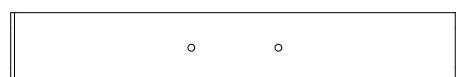


Fig. 6: Tie bar of the bracket

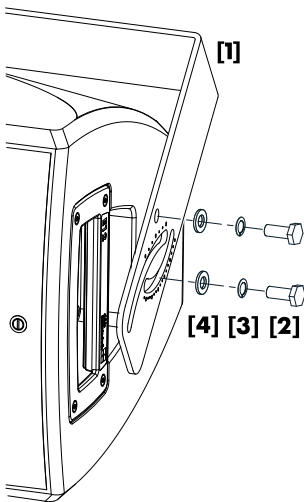
#### Option 2:

Both bolts are fitted to the semi-circular slot **(b)** on each end of the bracket. The vertical coverage angle can be set over a range of 30° (Fig. 5). The angle can be read from the point on the scale that corresponds to the center of the fixing screw in slot **(b)** which is fitted along the scale.

### 5. Assembly

#### Fixing to walls or ceilings

Two mounting holes 9 mm (0.35") are provided on the back of the bracket for fixing the bracket directly to walls or ceilings or other suitable surfaces.



### Attaching the bracket to the cabinet

**NOTICE:** Only use the supplied and specified screws [2]. Always use the spring washer [3] and U-washer [4] to prevent the bolts from slackening.

Tools required: Open ended spanner/wrench (size #17).

1. Fit the cabinet to the prepared bracket.
2. Bolt the bracket to the cabinet.
3. Set the desired angle before finally tightening the screws.

## 6. Maintenance and care

In case of mobile use of the bracket please observe the following notes.

### Storing/Transport

Due to its surface treatment the bracket is temporarily protected against moisture. However, ensure the bracket is in a dry state while stored or during transport and use.

During transport ensure the bracket is not stressed or damaged by mechanical forces.

### Cleaning

Regularly clean and lubricate the bracket using WD-40® or a similar product.

### Inspections

To eliminate the potential risk of accident due to malfunctioning of the bracket carry out a visual and functional inspection of the bracket regularly. In particular pay attention to obvious damage (deformation, cracks and corrosion).

If the bracket fails to operate correctly and/or safely the bracket must be withdrawn from use immediately.

## 7. Disposal

Please dispose of this product according to the respective national regulations.

Ensure that damaged rigging components are disposed of in a way that they can not be used again.

## Manufacturer's declarations

### EC Declaration of conformity

within the meaning of the EC Machine Directive 98/37/EEC

We hereby declare that the equipment designated below is designed and built in the version sold by us in such a way as to comply with the relevant fundamental safety and health criteria of the applicable EC Directive(s). This declaration shall cease to be valid if alterations are made to the equipment without our prior agreement.

**This declarations covers:**

**d&b E12 Horizontal bracket, Z5353**

To be used as described in these mounting instructions.

**National standards and technical specifications applied:**

DIN EN ISO 12100, DIN EN 1050, BGV C1

Backnang, 2008-01-10



(Frank Bothe, Managing director)